

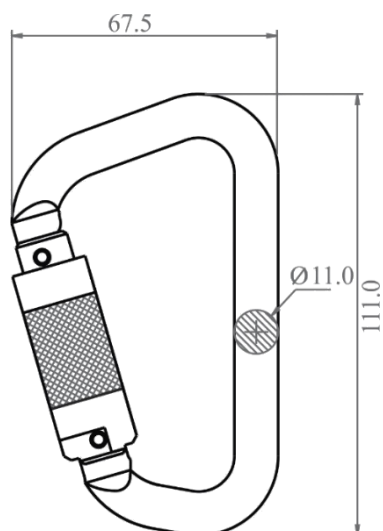


TECHNICAL SHEET FA 50 201 22

ALUMINIUM QUARTER-TURN LOCKING KARABINER



UIAA



Gate opening :	CE	Weight:
21 mm		0,09 kg

KRATOS SAFETY

689 Chemin du Buclay
38540 Heyrieux – FRANCE

Tel : +33 (0)4 72 48 78 27

Fax : +33 (0)4 72 48 58 32

www.kratossafety.com / info@kratossafety.com

Aluminium Quarter-Turn Locking Karabiner

Opening: 21 mm

Minimum breaking strength: 23 kN

Compliance: EN362 : 2004 Class B

Material of components:

Aluminium Alloy

HS CODE

76161000

CARTON SIZE / PCS.

60 x 40 x 24 / 200

AET N°2006 I4 E4

Satra Technology Centre, N°0321
Wyndham Way, Telford Way, Kettering
Northamptonshire, NN16 8SD, United Kingdom

ARTICLE 11 GB07/73551

SGS United Kingdom Ltd., N°0120
Unit 202B, Worle Parkway,
Weston-super-Mare, BS22 6WA, United Kingdom